



### ComEx control stations

#### Features

- 3 standard enclosures
- Easy to install
- Extremely flexible
- Customer-tailored solutions

#### Description

ComEx is a flexible system offering standard as well as customer-specific local control and indicating units.

You have the choice between three standard enclosures which can accommodate up to three different control and indicating devices. Combinations of up to three ComEx enclosures are possible.

Either stuffing box glands in M20 x 1.5 and M25 x 1.5 made of plastic or cable glands made of metal are available for the electrical connection.

The plastic glands require no lock nuts.

Metal glands are screwed into a metal earth plate sheet inside of the enclosure. Maximum amount of cable glands: two off M20.

To ensure easier operation on site, each enclosure can be equipped with an individual info-label.

For offshore applications special oil-resistant attachments are available.

#### Explosion protection

##### Ex protection type

- ⊕ II 2G Ex ed IIC T6
- ⊕ II 2D Ex tD A21 IP 67 T 80 °C

Class I, Zone 1 AEx ed IIC, Ex ed IIC  
Class I, Division 2 Groups A, B, C, D  
Ex ed IIC, T6

##### Certification

- PTB 00 ATEX 1068
- UL E184198
- IECEx PTB 08.0022
- INMETRO 2004 EC 02 CP003

##### Permissible ambient temperature

- 55 °C to +60 °C
- (-20 °C to +60 °C for Zone 21 and 22)

#### Technical data

##### Connection

Terminals 2.5 mm<sup>2</sup>

##### PE conductor terminals

4 x 2.5 mm<sup>2</sup>

##### Rated insulation voltage

max. AC 690 V

##### Nominal current

max. 16 A

##### Cable entry

- M 20 x 1.5 for cable Ø 6 to 13 mm
- M 25 x 1.5 for cable Ø 7 to 12 mm
- M 25 x 1.5 for cable Ø 13 to 21 mm

##### Enclosure

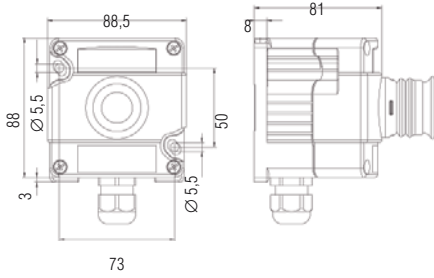
Thermoplastic

##### Protection class

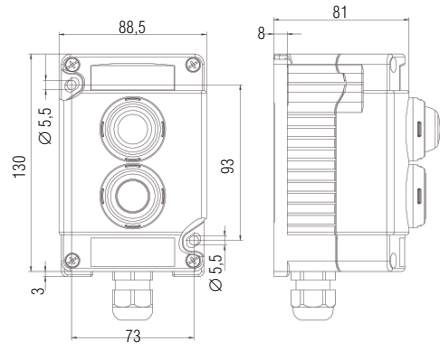
IP 66/IP 67



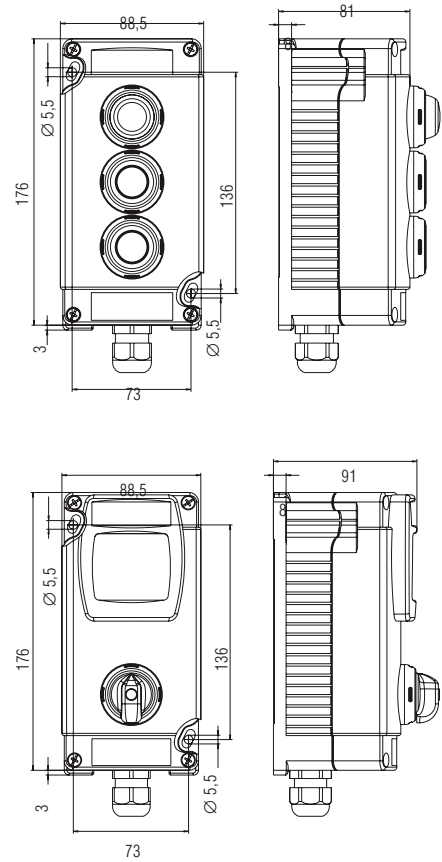
Control unit, single Type 07-3511-....



Control station, double Type 07-3512-....



Control station, triple Type 07-3513-....





**Selection chart Actuator elements**

Illustration	Description	Code no.	Illustration	Description	Code no.
	<b>Pushbutton</b> with rubber membrane and with five loose labels: red, green, yellow, white, black	<b>P7</b>		<b>Lock (DOM)</b> lockable in both positions, key retractable in both positions lock 4 A 185	<b>K0</b>
	<b>Double pushbutton actuator</b> with rubber membrane, 5 loose labels in red, green, yellow, white, black	<b>P2</b>		lockable in its depressed position, key retractable in its depressed position lock 4 A 185	<b>K1</b>
				lockable in its initial position, key retractable in its initial position lock 4 A 185 (tip lock)	<b>K2</b>
	<b>Emergency Stop</b> marked 'NOT-AUS EMERGENCY STOP'	<b>N8</b>		<b>Lock (RONIS)</b> lockable in both positions key retractable in both positions lock 445	<b>K4</b>
				<b>Lock (RONIS)</b> Lock 455	<b>E0</b>
	<b>Locking mushroom push button</b> pushed in without a key unlocked with a key DOM lock 4 A 185	<b>K3</b>		2 switching positions 0-I latching, key retractable	<b>E1</b>
				2 switching positions 0-I momentary contact, position I key not retractable	<b>E2</b>
				3 switching positions I-0-II latching on both sides, key retractable	
	<b>Mushroom pushbutton</b> , black	<b>P8</b>		<b>Lamp</b> red green yellow white blue	<b>LR</b> <b>LG</b> <b>LY</b> <b>LW</b> <b>LB</b>
				<b>Illuminated button actuator</b> red green yellow white blue	<b>TR</b> <b>TG</b> <b>TY</b> <b>TW</b> <b>TB</b>
	<b>Position selector switch</b> 2 positions, 0 + I latching	<b>S9</b>			
	<b>Position selector switch</b> 3 positions I-0-II I + II latching I + II momentary-contact I latching, II momentary-contact I momentary-contact, II latching	<b>S0</b> <b>S1</b> <b>S2</b> <b>S3</b>		<b>Blanking plug</b> black, to cover unused holes in the front panel	<b>B1</b>
				<b>Potentiometer actuating element</b> black, scale 1 - 10	<b>D0</b>









Selection chart Actuator elements

Illustration	Description	Code no.	Illustration	Description	Code no.
	<b>Pushbutton</b> with rubber membrane and with five loose labels: red, green, yellow, white, black	<b>P7</b>		<b>Lock (DOM)</b> lockable in both positions, key retractable in both positions lock 4 A 185	<b>K0</b>
	<b>Double pushbutton actuator</b> with rubber membrane, 5 loose labels in red, green, yellow, white, black	<b>P2</b>		lockable in its depressed position, key retractable in its depressed position lock 4 A 185	<b>K1</b>
	<b>Emergency Stop</b> marked 'NOT-AUS EMERGENCY STOP'	<b>N8</b>		<b>Lock (RONIS)</b> lockable in both positions key retractable in both positions lock 445	<b>K4</b>
	<b>Locking mushroom push button</b> pushed in without a key unlocked with a key DOM lock 4 A 185	<b>K3</b>		<b>Lock (RONIS)</b> Lock 455	<b>E0</b>
	<b>Mushroom pushbutton, black</b>	<b>P8</b>		2 switching positions 0-I latching, key retractable	<b>E1</b>
	<b>Position selector switch</b> 2 positions, 0 + I latching	<b>S9</b>		2 switching positions 0-I momentary contact, position I key not retractable	<b>E2</b>
	<b>Position selector switch</b> 3 positions I-0-II I + II latching I + II momentary-contact I latching, II momentary-contact I momentary-contact, II latching	<b>S0</b> <b>S1</b> <b>S2</b> <b>S3</b>		<b>Lamp</b> red green yellow white blue	<b>LR</b> <b>LG</b> <b>LY</b> <b>LW</b> <b>LB</b>
	<b>Illuminated button actuator</b> red green yellow white blue			<b>Blanking plug</b> black, to cover unused holes in the front panel	<b>B1</b>
	<b>Potentiometer actuating element</b> black, scale 1 - 10				<b>D0</b>



**Selection chart Modules**

Illustration	Description	Code no.
	<b>Switch module</b> 1 NC/1 NO 2 NC 2 NO	<b>4</b> <b>1</b> <b>2</b>
	<b>Indicator light</b> red green yellow white blue	<b>R</b> <b>G</b> <b>Y</b> <b>W</b> <b>B</b>
	<b>Illuminated button</b> red 1 NO green 1 NO yellow 1 NO white 1 NO blue 1 NO  red 1 NC green 1 NC yellow 1 NC white 1 NC blue 1 NC	<b>RB</b> <b>GB</b> <b>YB</b> <b>WB</b> <b>BB</b>  <b>RA</b> <b>GA</b> <b>YA</b> <b>WA</b> <b>BA</b>
	<b>Potentiometer modul</b> <b>Resistance values</b> 1 kΩ 2.2 kΩ 4.7 kΩ 10 kΩ	<b>4</b> <b>5</b> <b>6</b> <b>7</b>
	<b>Terminal block</b> with 6 modular terminals 2.5 mm <sup>2</sup> Ex e II	<b>6</b>
	<b>Measuring instrument</b> 1 A 03-9020-0024 5 A 03-9020-0025	<b>MM1</b> <b>MM5</b>

**Complete order no.**

Actuator element resp. Lamp module operator



Switch module resp. Indicator light or Terminal block



Measuring instrument



Please insert code number.

Control unit, single **07-3511-10**



Control unit, double **07-3512-10**



Control unit, double **07-3512-10**



Control unit, triple **07-3513-10**



Control unit, triple **07-3513-10**



Technical data subject to change without notice.